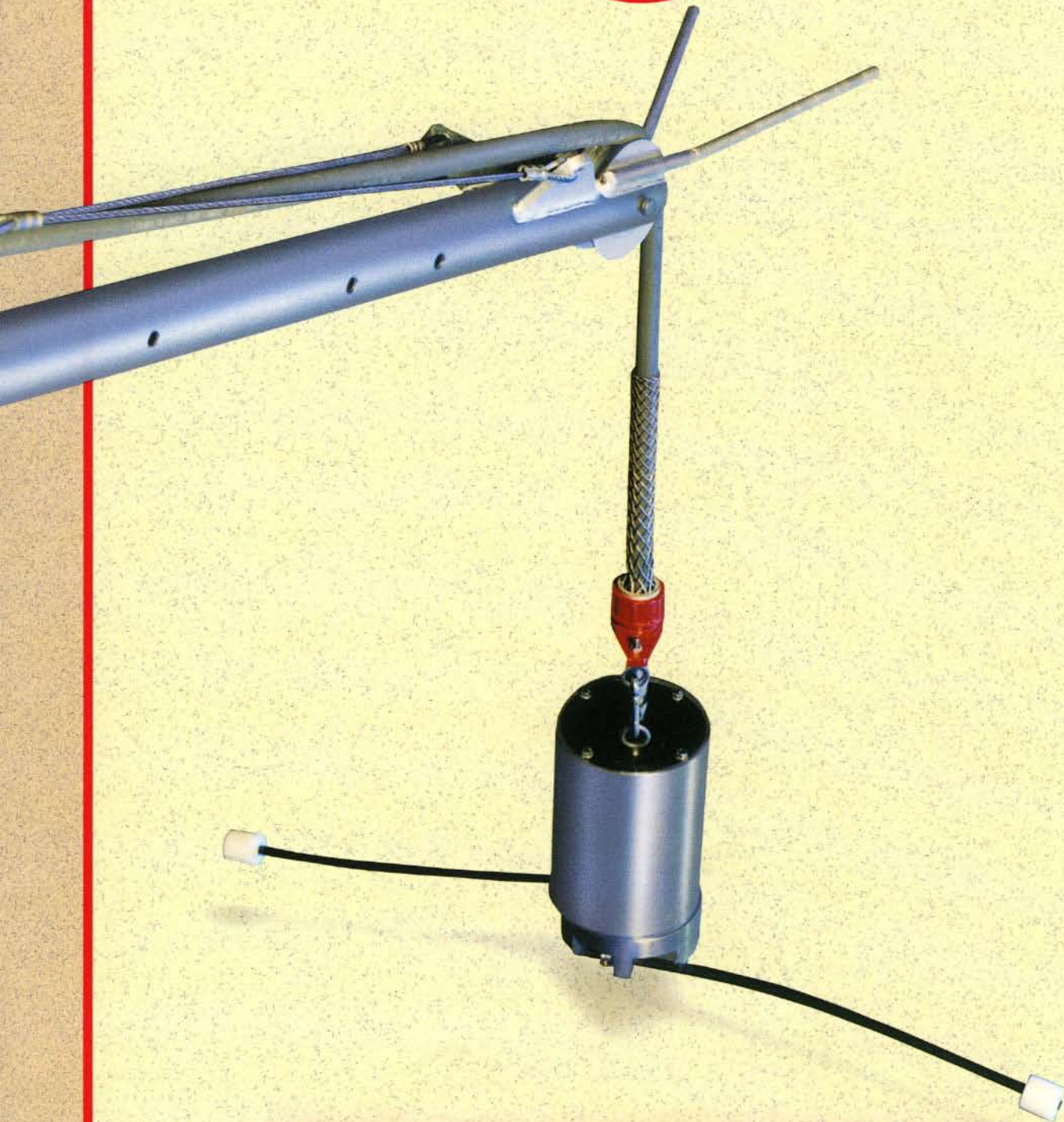


MOLE-MASTER™

JUNIOR™

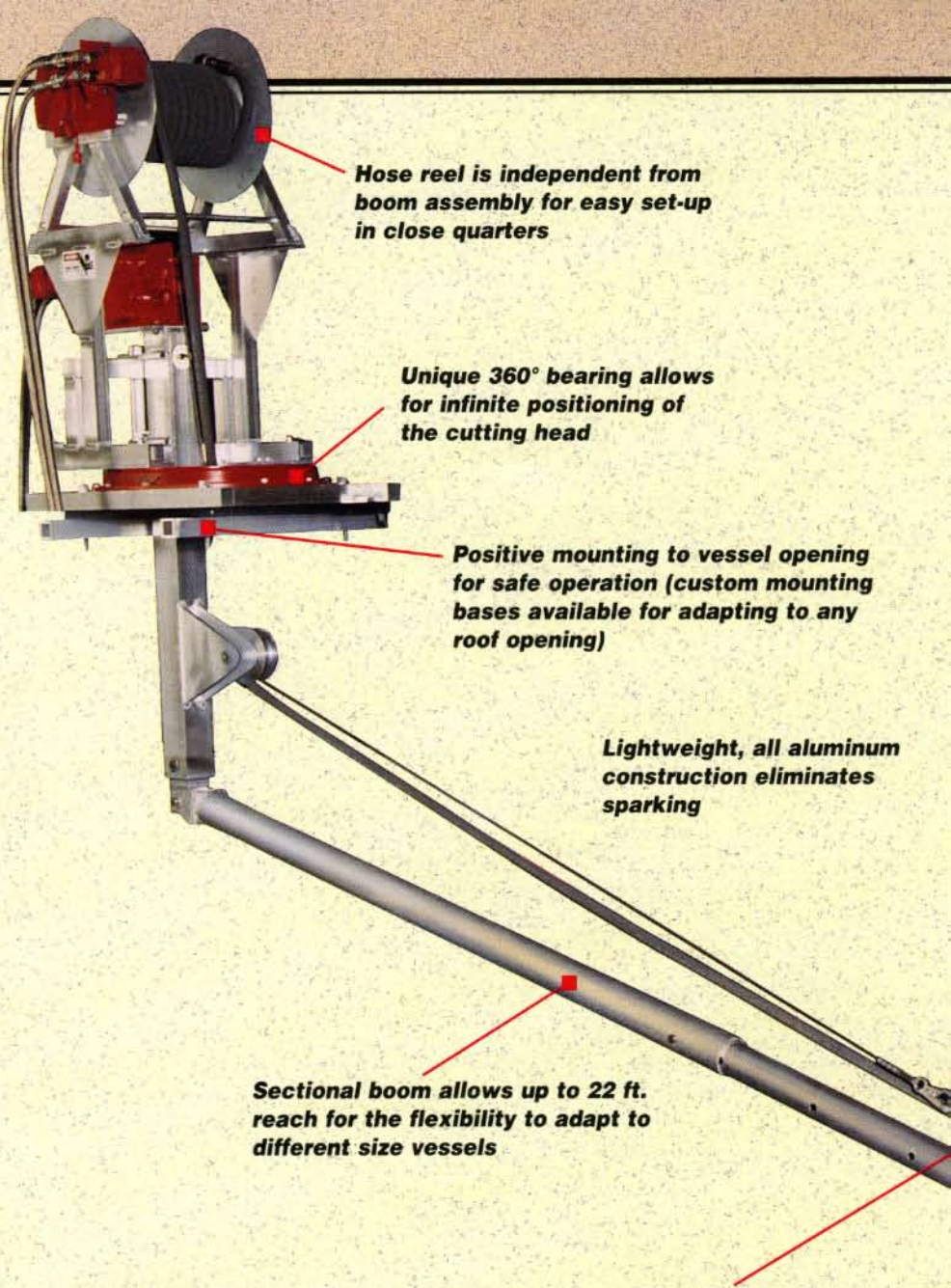
360°

098



**Silo Cleanout Equipment That Puts
The Power Of The Mole To Work For You**

MOLE-MASTER™ JUNIOR™ 360° 098



Hose reel is independent from boom assembly for easy set-up in close quarters

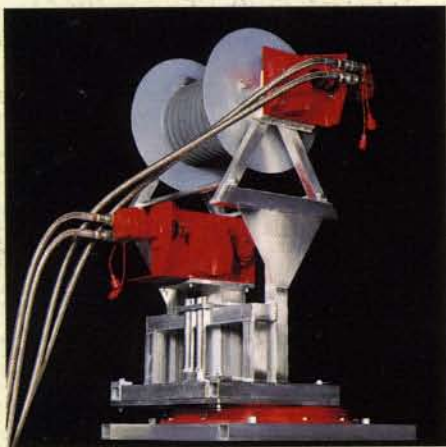
Unique 360° bearing allows for infinite positioning of the cutting head

Positive mounting to vessel opening for safe operation (custom mounting bases available for adapting to any roof opening)

Lightweight, all aluminum construction eliminates sparking

Sectional boom allows up to 22 ft. reach for the flexibility to adapt to different size vessels

Double-wire braid hose for added strength to prevent twisting and collapsing (available in lengths to 150 feet)



Hydraulically-actuated hose reel and vertical boom positioning feature "Quick Connect" hydraulic fittings. To assure no contamination, all hydraulic lines and fittings are external of the vessel.



Mole-Master's remotely controlled equipment provides the fastest, safest, and most economical cleanout of all types and sizes of bulk storage and process vessels.

Specifications

Boom Length	Adjustable 0' to 22' (0 to 6.6 m)
Working Depth	150 feet (46 m)
Required Access	16" minimum (406 mm)
Construction Material	Structural Aluminum
Power	
Electric	220V/440V, 3 phase
Air	Min: 65 psi/150 scfm Max: 125 psi/250 scfm
Weight	
Hose Reel plus Hose	248 lbs. (112 kg)
Frame, Mast and Boom	328 lbs. (149 kg)

MOLE POWER Means Powerful Solutions For Do-It-Yourself Silo Cleaning



The unique MOLE•MASTER JUNIOR 360° achieves a continuous 360 degree rotation from one set-up position. This time-saving feature maximizes the speed with which all bulk storage and process vessels can be cleaned out. In fact, the JUNIOR 360° provides **100% coverage** of the silo's interior walls through this continuous circumferential rotation.

Portable — Modular design allows easy movement between bins

Flexible — Works in any shape and size vessel or bin (round, square, or star)

Safe — Eliminates the risk of confined space entry



Problem

Ratholing and material build-up restrict material flow and reduce storage capacity.



Solution

MOLE•MASTER JUNIOR 360° removes build-up fast!



Pneumatically-actuated cutting head features various interchangeable blades, flails or chain cutters engineered to safely remove a wide variety of materials

Durable, all-aluminum construction ensures a long, maintenance-free equipment life. What's more, the JUNIOR 360° can easily be set up or torn down by one or two people in less than 30 minutes. Once set up, only one person is required to operate the machine!

Most importantly, using the JUNIOR 360° **eliminates the need for hazardous human entry and the associated confined space entry requirements as described in OSHA 29 CFR 1910.**

MOLE POWER Means Safe, Engineered Solutions To Your Build-Up And Flow Problems

The JUNIOR 360° is engineered to ensure a long, maintenance-free equipment life and to emphasize ease of operation and portability. The main unit (minus hydraulic power and control assembly) consists of five primary components which can easily be set up or disassembled in less than thirty minutes. All components (see photo below) can be easily transported from bin to bin by two men.

To establish a flow channel in a completely "bridged" vessel, ask about the Arch Master portable auger system. It's the perfect complement to the Mole Master JUNIOR 360°. Both the Mole Master JUNIOR 360° and the Arch Master are available for purchase or rental. Contact a Mole Master service professional to find out which option is best for you.



For more information on our complete product and service capabilities, contact:

Your Mole•Master Distributor Is:

MOLE•MASTER™
SERVICES CORPORATION

117 Industry Road • Marietta, Ohio 45750 USA
International & Ohio 614.374-6726 • 1.800.322.6653
Fax 614.374.5908